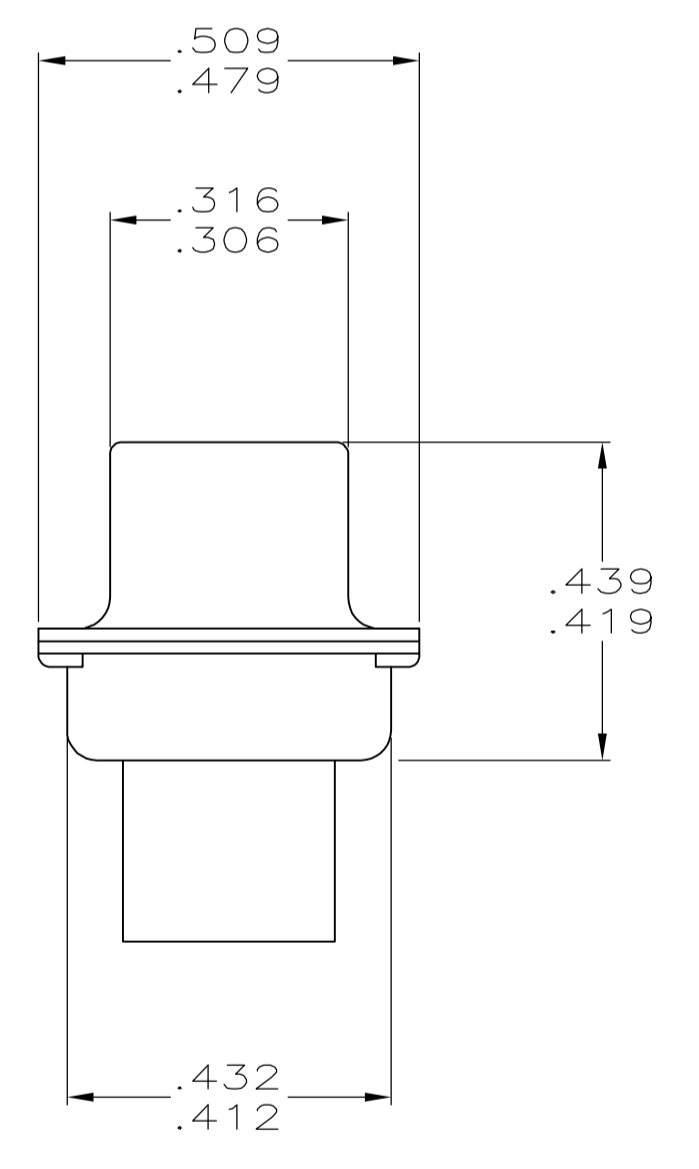
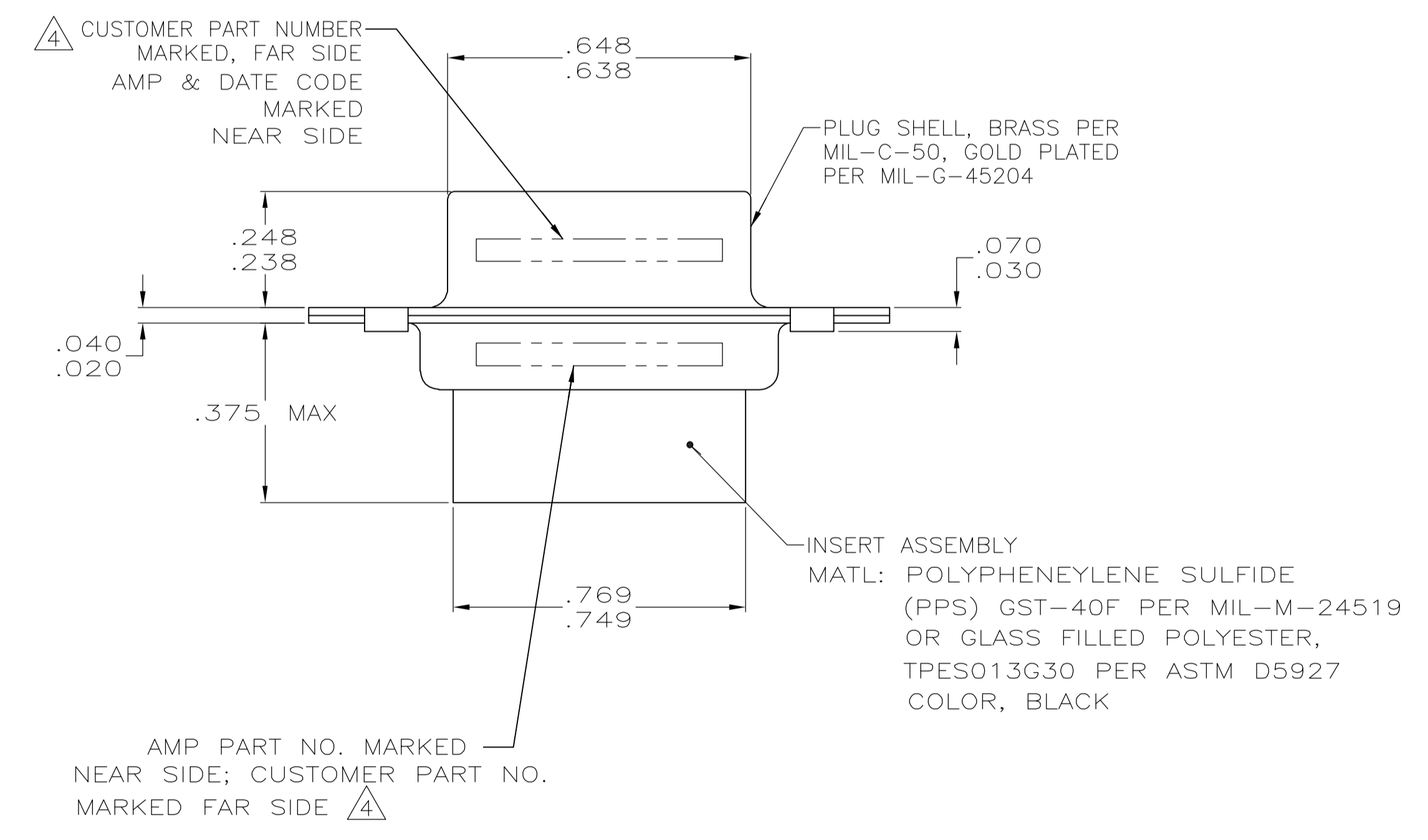


1. THIS RECEPTACLE WILL MATE WITH ANY PLUG CONNECTOR WITH THE SAME INSERT ARRANGEMENT AS DEFINED BY MS18273-2.
 2. MAXIMUM WIRE INSULATION TO BE USED WITH THIS RECEPTACLE IS .054 DIA.
 3. BE. CU. RETENTION CLIPS ARE INCLUDED IN INSERTS.
- ⚠ CUSTOMER PART NUMBER MAY BE SPLIT BETWEEN FRONT AND REAR SHELL, SAME SIDE.
 - ⚠ UL/CSA DESIGNATION STAMPED IN THIS AREA, OPTIONAL.
 - ⚠ INSPECTION REQUIREMENTS PER R4383.
 - ⚠ CONNECTOR SUPPLIED WITH 17 CONTACTS, AMP PART NUMBER 206071-1. INSPECTION REQUIREMENTS PER R4383.
 - ⚠ CONNECTOR SUPPLIED WITH 25 CONTACTS, AMP PART NUMBER 206071-1. INSPECTION REQUIREMENTS PER R4383.
 - ⚠ THESE CONNECTORS ARE QUALIFIED TO GODDARD SPACE FLIGHT CENTER SPECIFICATIONS S-311-P-4.
 - ⚠ RESTRICTED TO CAE ELECTRONICS ONLY.



AMP P/N 206071-1
 GSFC P/N G-08-S1
 (SUPPLIED WITH 206064-6 AND 206064-7 ONLY)

.120		570566-1	1-206499-0	1-206499-0
.154	⚠10 ⚠9	311P407-1S-B-15	206499-1	206499-9
.120	⚠10 ⚠9	311P407-1S-B-12	206499-4	206499-8
.120	⚠8	20025720P1015S	206499-7	206499-7
.120	⚠7	R4383 P15S	206499-6	206499-6
.120	⚠6	R4383 P15S-2	206499-5	206499-5
.120	⚠9	311P407-1S-B-12	206499-4	206499-4
.154		----	206499-3	206499-3
.120		R9259P15S	206499-2	206499-2
.154	⚠9	311P407-1S-B-15	206499-1	206499-1
Ø A	REMARKS	CUSTOMER P/N	MARKED AMP P/N	PART NO

THIS DRAWING IS A CONTROLLED DOCUMENT.

DIMENSIONS: INCHES	TOLERANCES UNLESS OTHERWISE SPECIFIED:	0 PLC ± -	1 PLC ± -	2 PLC ± -	3 PLC ± .005	4 PLC ± -	ANGLES ± -
MATERIAL SEE CALLOUTS	FINISH SEE CALLOUTS	WEIGHT	SCALE	SIZE	CAGE CODE	DRAWING NO	RESTRICTED TO
			4:1	A1	00779	206499	—

THIS DRAWING IS A CONTROLLED DOCUMENT. DWN P. YEAGER 02OCT2006 CHK D. MILLER 05OCT06 APVD D. MILLER 05OCT06 NAME RECEPTACLE FOR SOCKET CONTACTS HIGH DENSITY D, 18 POSN. SIZE 1 NONMAGNETIC

TYCO Electronics Tyco Electronics Corporation Harrisburg, PA 17105-3608

CUSTOMER DRAWING SCALE 4:1 SHEET 1 OF 1 REV V